



Volvo Construction Equipment

ABG9820

Volvo Tracked Pavers 3.0-16.0 m 273 kW



A passion for performance

At Volvo Construction Equipment, we're not just coming along for the ride. Developing products and services that raise productivity – we are confident we can lower costs and increase profits for industry experts. Part of the Volvo Group, we are passionate about innovative solutions to help you work smarter – not harder.

Helping you to do more

Doing more with less is a trademark of Volvo Construction Equipment. High productivity has long been married to low energy consumption, ease of use and durability. When it comes to lowering life-cycle costs, Volvo is in a class of its own.

Designed to fit your needs

There is a lot riding on creating solutions that are suited to the particular needs of different industry applications. Innovation often involves high technology – but it doesn't always have to. Some of our best ideas have been simple, based on a clear and deep understanding of our customers' working lives.



You learn a lot in 180 years

Over the years, Volvo has advanced solutions that have revolutionized the use of construction equipment. No other name speaks Safety louder than Volvo. Protecting operators, those around them and minimizing our environmental impact are traditional values that continue to shape our product design philosophy.

We're on your side

We back the Volvo brand with the best people. Volvo is truly a global enterprise, one that is on standby to support customers quickly and efficiently – wherever they are.

We have a passion for performance.



Volvo Trucks



Renault Trucks



Mack Trucks



UD Trucks



Volvo Buses



Volvo Construction Equipment



Volvo Penta



Volvo Financial Services

The ultimate paver for extreme paving tasks

Volvo's ABG9820 has been designed for placing all kinds of wearing, binder and base courses in large paving widths up to 16 m and thicknesses up to 500 mm. A high paving output, ample reserve power, a robust and sturdy design and Volvo's well known ease of operation are significant features of this heavy-duty paver.

Construction projects

The ABG9820 is predestined for large paving projects where a high paving rate and optimum quality of the mat is required: Motorways, main roads and highways, airfield construction, urban roads, railway tracks (hard carriageways or railway track ballast).

B Excellent operating comfort

Like all Volvo ABG pavers, the ABG9820 features the latest generation of the EPM system. No other system on the market offers such intuitive operation, and extensive options for storing and analyzing machine data. The operator's platform provides excellent all-round vision and spacious leg room for the operator. Both seats can be laterally extended beyond the outer edge of the paver.

A Highest performance mix conveyor system

The ABG9820 has a laydown rate of up to 1 500 t/h. Accordingly, the large hopper has a capacity of 17.5 t. Independent drives for both bar conveyors and augers ensure the right amount of paving material is conveyed to both sides of the screed where and when it is required.





F Latest generation of EPM

The Electronic Paver Management (EPM) is a well-proven serial CAN bus control system with a modern operating panel that clearly displays all paver functions, settings and operating status.



G High tractive power

Very high traction is achieved due to high static friction of the replaceable rubber track shoes. The large ground contact area, 3-point suspension and optimum weight distribution of the paver enables an efficient paving process even on bases with poor bearing capacity or on uneven ground.

C Travel drive with electronic control

The electronically controlled travel drive ensures a uniform propulsion, accurate straight ahead travel, exact cornering and soft start.

D Powerful, environmentally friendly engine

The COM III certified high performance engine provides ample reserve power for all operating conditions even at maximum paving width and under extremely high loads.

H Crawler unit with patented height adjustment system for thick lift paving

Without a great deal of conversion work, the paver is quickly adjusted for thick lift paving up to 500 mm.

1. Normal paving position



2. The screed transport cylinders push the screed downwards and raise the rear of the paver.



3. When the lock bolts are released, the crawler unit sinks to the ground under its own weight and the lock bolts are tightened again.



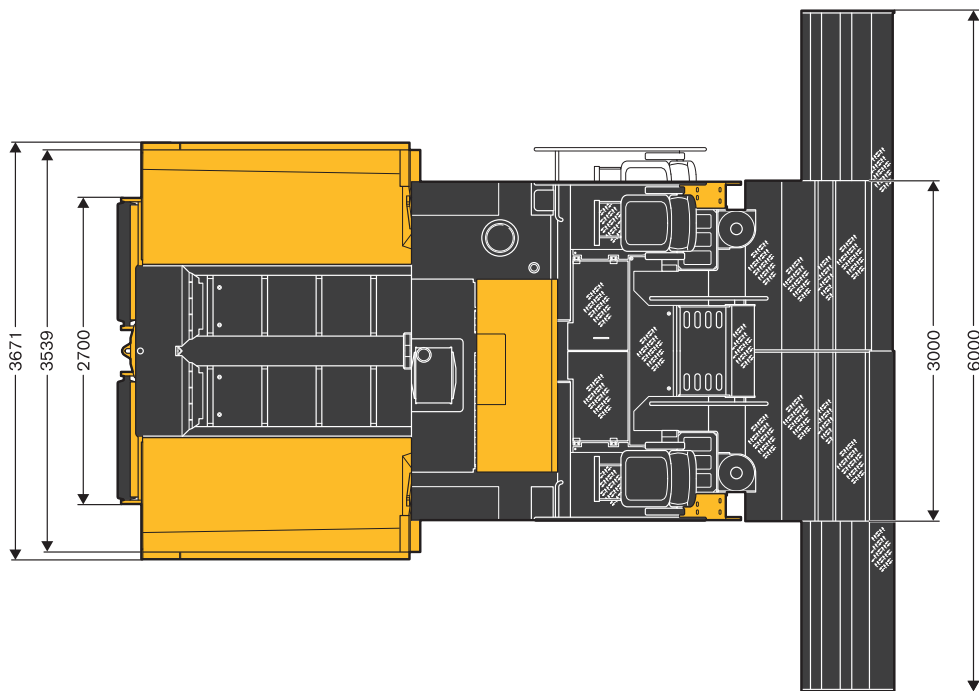
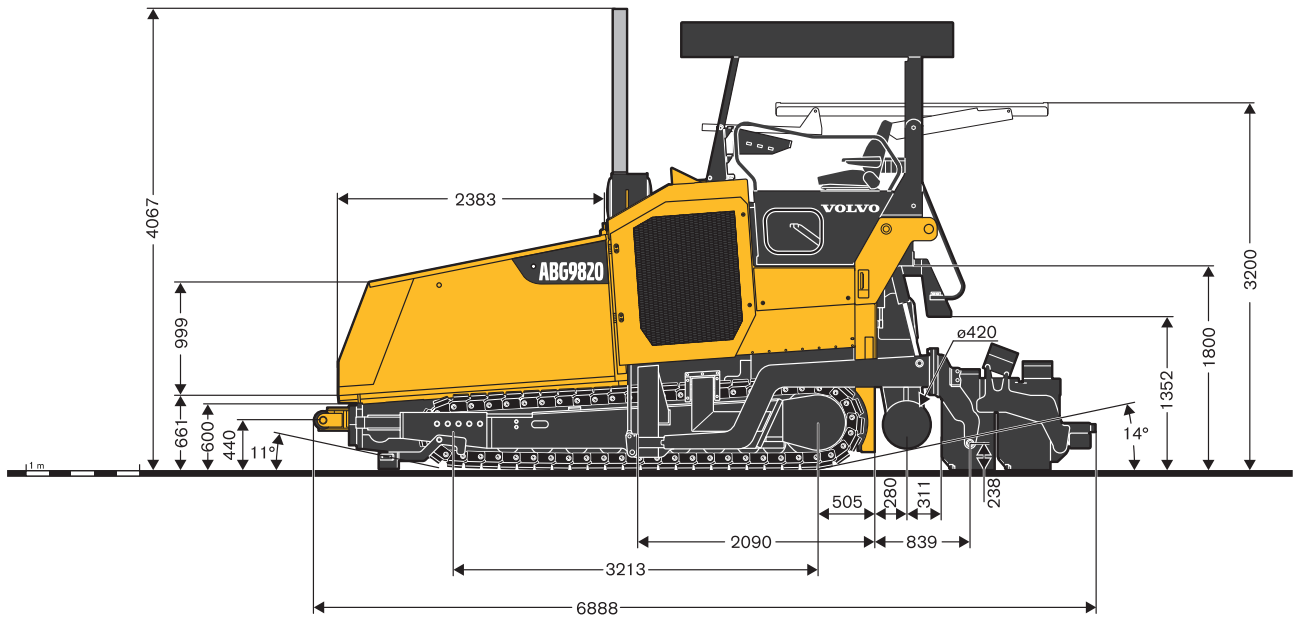
E Screed technology

Both Vario and fixed screed models can be supplied as standard or high density versions. With the ABG high density screeds Volvo offers outstanding technology. Patented double tampers in combination with vibration enable the paver to achieve the highest possible degree of compaction so that the need for subsequent roller compaction can be significantly reduced.



E

Dimensions



PAVING WIDTHS / SCREED OPERATING WEIGHTS¹

Screed model	Extension system	Basic width / Adjusting range	Weights (Basic screed)	Max. paving width	Weights ² (Max. screed width)
		m	kg	m	kg
VB 88	Hydraulic	3.00 - 6.00	4 090	10	7 240
VB 89	Hydraulic	3.00 - 6.00	4 460	9.00	6 890
VDT-V 88	Hydraulic	3.00 - 6.00	4 530	9.00	7 300
VDT-V 89	Hydraulic	3.00 - 6.00	4 830	9.00	7 560
VDT 120	Manual	3.00	2 200	13.00	9 700
MB 120	Manual	3.00	1 800	16.00	9 730

¹ All weights are approximate weights without options. ² Including auger extensions, channel plates, end gates, Towing arms rear, etc.

Specifications

SPECIFICATIONS

Engine (Diesel)	Model	Deutz TCD2015V06 4V	
	Output	kW / hp	273 / 371 @ 1 800 r/min
	Coolant	Liquid	
	Fuel tank capacity	l	400
	Exhaust emission	COM III /EPA Tier III	
Paving	Output (theor.) ²	t/h	1 500
	Mat thickness (max.)	mm	500
Speeds	Paving	m/min	60
	Transport	km/h	3.6
Crawler unit	Length	mm	3 200
	Width (track plates)	mm	400
Mix conveyor system	Hopper capacity	t	17.5
	Conveyors		2
	- Conveyor speed	m/min	27.1
	Augers		2
	Auger speed	1/min	117
	Auger diameter	mm	420
Electrics		V	24 V system
Transport dimensions	Width x Length x Height	mm	3 000 x 6 890 x 3 200
Weights³	Tractor unit	kg	21 800
Sound Level	Operator's Ear, acc. to ISO 11201	LpA dB(A)	85
	External, acc. to Directive 2000/14/EC	LwA dB(A)	109 (with VDT120, MB120, VB88, VB89) 110 (with VDT-V88, VDT-V89)

² The actual paving output depends upon the mat thickness, the paving width and paving speed and will vary according to the paving conditions prevailing on your jobsite. Please contact us and we will be pleased to assist you in calculating the paving output for your particular paving project.

³ All weights are approximate weights without options.

Equipment

EQUIPMENT

Standard ● Optional ○

Partial listing of standard equipment and available options

Deutz Diesel engine, COM IIIA/EPA Tier III	●	Mat thickness scale in inch	○
Electronic Paver Management (EPM2)	●	Levelling systems	○
Adjustable control unit	●	Electric switch cabinet	●
Two seats, laterally extendable	●	Four working lights	●
Deluxe seats with heating	○	Sound insulation	●
Railings with seat console	●	Anti-Vandal kit	●
Canopy	●	Battery master switch	●
Electronic drive control	●	Two external control panels for the paving screed	●
Lifetime lubricated crawler track rollers	●	Tool kit	●
Forged and hardened crawler track links	●	Central lubrication	●
Automatic crawler track tensioner	●	Xenon floodlighting	○
Large truck buffer rollers	●	Two additional lights (rear)	○
Four individual hydrostatic drives for conveyors and augers	●	Working lights with magnetic base	○
Proportional USS auger control according to material requirements	●	Two additional lateral gas bottle holders	○
Reversible direction of auger rotation	●	Warning beacon	○
Screed lock	●	Auxiliary control panel	●
Screed anti-climbing lock	●	Additional sockets 230V	○
Screed tensioning device for fixed screeds	○	Emulsions spraying system	○
Screed assist	●	Heavy-duty spray cleaning gun	○
Screed load device	○	Fuel transfer pump	○
Screed spacer blocks, 50 mm	○	Sign plates USA	○
Hydraulic auger height adjustment	●	Special paintwork (according to RAL color code, excluding metallic paintwork)	○
		Biodegradeable hydraulic oil	○

Not all products are available in all markets. Under our policy of continuous improvement, we reserve the right to change specifications and design without prior notice. The illustrations do not necessarily show the standard version of the machine.

VOLVO

Volvo Construction Equipment

www.volvoce.com